

Standard Applications:

- Dispensing
- Sealing
- Material Handling
- Machine Tending
- Spot Welding
- Material Removal
- Assembly

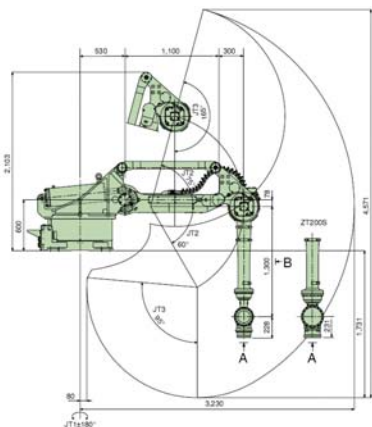
ISO 9409-1 Series 2 (D125)
for ZT130U and ZT165U



ISO 9409-1 Series 1 (D160)
for ZT200S



View A



View B

Arm Type	Articulated		
Degrees of Freedom	6 (Optionally 7)		
Axes Work Envelope and Maximum Speed	Axis	Work Envelope	Maximum Speed
	Arm Rotation (JT1)	+180°	105° /s
	Arm Out-In (JT2)	+60° ~ -75°	105° /s
	Arm Down-Up (JT3)	+165° ~ -95°	105° /s
	Wrist Swivel (JT4)	± 360°	140° /s
	Wrist Bend (JT5)	± 130°	135° /s
	Wrist Twist (JT6)	± 360°	230° /s
	Arm Traverse	2000 mm (standard)	1000 mm/s
Adjustable Mechanical Stopper JT1			
Position Repeatability	±0.3 mm (at wrist flange surface)		
Payload	130 kg		
Maximum Linear Speed	Maximum Linear Interpolation speed 2500 mm/s		
Wrist Load Capacity		Torque	Moment of Inertia
	JT4	735 N*m (75 kgf*m)	107.8 Kg*m ² (11.0 Kgf*m*s ²)
	JT5	735 N*m (75 kgf*m)	107.8 Kg*m ² (11.0 Kgf*m*s ²)
	JT6	421.4 N*m (43 kgf*m)	45.9 Kg*m ² (4.7 Kgf*m*s ²)
Driving Motor	Brushless AC Servomotor		
Mass	1550 kg (excluding options)		
Color	Kawasaki Standard		
Installation	Shelf mount		
Ambient Temperature	0–45° C for manipulator		
Relative Humidity	35–85% non-condensing		
Pneumatic Piping	Built-in Pneumatic Piping (ø12 x 2 lines)		
	Wirings for valves to drive hand (DC 24V x 7 circuits)		
Power/Signal Cable Length	10 m		
IP Rating	Wrist—IP65; Arm—IP65		
Options	Power/Signal Cable Length: 15 m		
	Internal wiring (37 wires)		
	Built-in Valve 1D/2D/1S/2S/1D1S		
* For installation of mechanical stopper and limit switch. It enables only when the width of JT1's operating angle is within 320°. The operating angle at shipment is being set to ±110°.			
Consult us about Maintenance Parts and Spare Parts.			