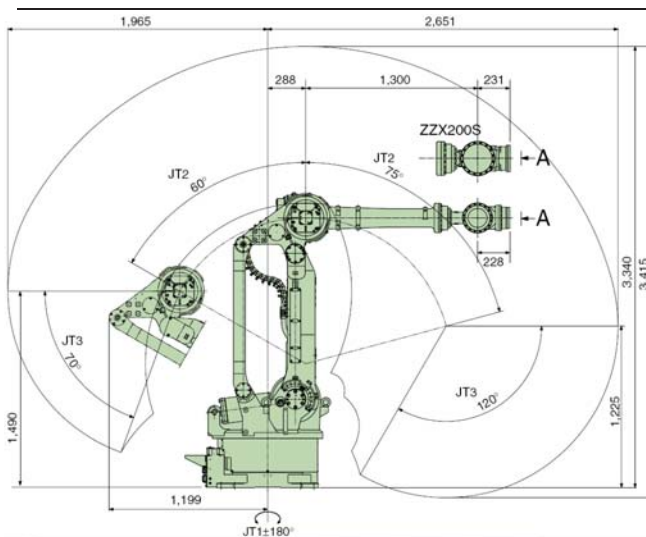


### Standard Applications:

- Dispensing
- Sealing
- Material Handling
- Machine Tending
- Spot Welding
- Material Removal
- Assembly



Arm Type	Articulated		
Degrees of Freedom	6 (Optionally 7)		
Axes Work Envelope and Maximum Speed	<b>Axis</b>	<b>Work Envelope</b>	<b>Maximum Speed</b>
	Arm Rotation (JT1)	+180°	110° /s
	Arm Out-In (JT2)	+75° ~ -60°	110° /s
	Arm Down-Up (JT3)	+250° ~ -120°	110° /s
	Wrist Swivel (JT4)	± 360°	140° /s
	Wrist Bend (JT5)	± 130°	135° /s
	Wrist Twist (JT6)	± 360°	230° /s
	Arm Traverse	2000 mm (standard)	1000 mm/s
	Adjustable Mechanical Stopper JT1		
Position Repeatability	±0.3 mm (at wrist flange surface)		
Payload	130 kg		
Maximum Linear Speed	Maximum Linear Interpolation speed 2500 mm/s		
Wrist Load Capacity		<b>Torque</b>	<b>Moment of Inertia</b>
	JT4	735 N*m (75 kgf*m)	107.8 Kg*m <sup>2</sup> (11.0 Kgf*m <sup>2</sup> s <sup>2</sup> )
	JT5	735 N*m (75 kgf*m)	107.8 Kg*m <sup>2</sup> (11.0 Kgf*m <sup>2</sup> s <sup>2</sup> )
	JT6	421.4 N*m (43 kgf*m)	45.9 Kg*m <sup>2</sup> (4.7 Kgf*m <sup>2</sup> s <sup>2</sup> )
Driving Motor	Brushless AC Servomotor		
Mass	1350 kg (excluding options)		
Color	Kawasaki Standard		
Installation	Floor mount, Fork pocket		
Ambient Temperature	0–45° C for manipulator		
Relative Humidity	35–85% non-condensing		
Pneumatic Piping	Built-in Pneumatic Piping (ø12 x 2 lines)		
	Wiring for valves to drive hand (DC 24V x 7 circuits)		
Power/Signal Cable Length	7 m		
IP Rating	Wrist—IP65; Arm—IP65		
Options	Power/Signal Cable Length: 10 m, 15 m		
	Internal wiring (37 wires)		
	Built-in Valve 1D/2D/1S/2S/1D1S		
* For installation of mechanical stopper and limit switch. It enables only when the width of JT1's operating angle is within 320°. The operating angle at shipment is being set to ±110°.			
Consult us about Maintenance Parts and Spare Parts.			

**Louisville, Kentucky**  
 2726 River Green Circle  
 Louisville, KY 40206  
 Phone (502) 893-3889

**Mexico**  
 Av. Vallarta #6503 Local B 9  
 Concentro Zapopan  
 Jalisco 45010 Mexico  
 (52) 33 3110-1895

**Canada**  
 1155 North Service Rd. West  
 Suite #4  
 Oakville, Ontario L6M-3E3  
 Phone (905) 465-0880

28140 Lakeview Drive  
 Wixom, Michigan 48393  
 Phone (248) 446-4100  
 Email kri-sales@kri-us.com  
 www.kawasakirobotics.com